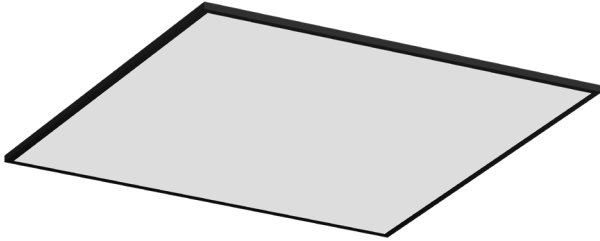


DOL QT DATASHEET

RECESSED APPLICATION

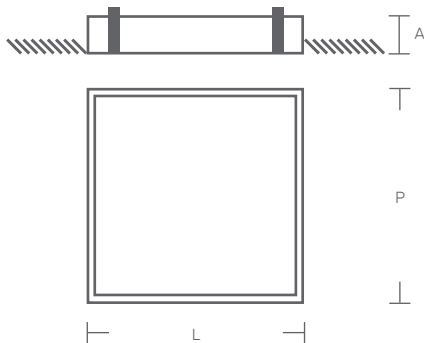
LED | 230V/50Hz | IP43



STANDARTS: EN 60598-1, EN 60598-2-1



TECHNICAL DRAWING



PRODUCT DESCRIPTION

Square LED luminaire for recessed application, trimless.
Extruded aluminum body coated with epoxy polyester.
Opal polycarbonate diffuser.

LIGHT SOURCE

Driver LED, 220-240VAC-50/60Hz.
CRI>80, 65.000h of useful life.
@L80, B10, Ta 25°C

AVAILABLE COLOR/FINISH



1-white/ 2-black/ 4-anthracite/ 6- grey/
8-RAL

AVAILABLE LIGHT TEMPERATURE/ COLOR



2700K/ 3000K/ 4000K/ 6500K/ TW

AVAILABLE DIFFUSER



0 -opaline

AVAILABLE DRIVER

1- HF - ON/OFF
2- DALI - Flow regulation
4- W - Tunable white

DOL QT

DIMENSIONS (mm)	POWER (W)	FLOW (lm)	CODE
220x220x80	16	2800	DOL22QT.016.LK.AED
320x320x80	18	3190	DOL32QT.018.LK.AED
320x320x80	40	7000	DOL32QT.040.LK.AED
620x620x80	28	4800	DOL62QT.028.LK.AED
620x620x80	42	7200	DOL62QT.042.LK.AED
920x920x80	75	11000	DOL92QT.075.LK.AED
920x920x80	157	20000	DOL92QT.157.LK.AED