

POST DATASHEET SURFACE APPLICATION

LED | 230V/50Hz | IP54 | IK08



STANDARTS: EN 60598-1, EN 60598-2-1



PRODUCT DESCRIPTION

LED luminaire for surface-mounted flooring. Injected aluminum body, thermo-lacquered with anti-aging additive.

LIGHT SOURCE

LED COB 9W
CRI>80, L80/B50, 25.000h of useful life.

AVAILABLE COLOR/FINISH



1-white/ 2-black

AVAILABLE LIGHT TEMPERATURE/ COLOR



3000K / 4000K

AVAILABLE DIFFUSER

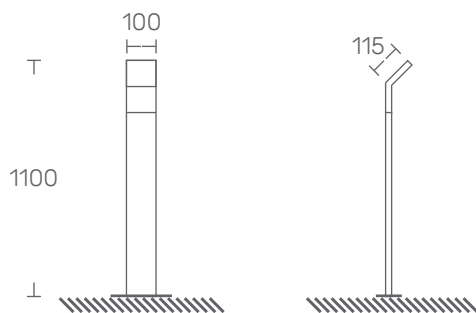


0 - opaline

AVAILABLE DRIVER

1- HF - ON/OFF

TECHNICAL DRAWING



POST

POWER (w)	FLOW (lm)	CODE
9	700	POST.009.LK.AED