

CESS DATASHEET RECESSED APPLICATION

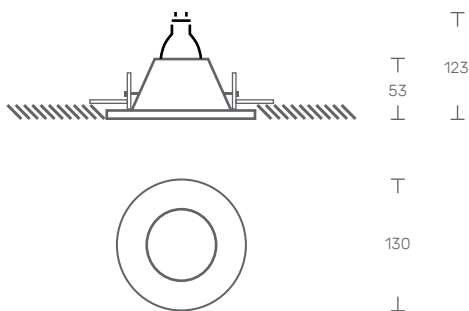
LED | 230V/50Hz | IP20



STANDARTS: EN 60598-1, EN 60598-2-1



TECHNICAL DRAWING



PRODUCT DESCRIPTION

LED luminaire for recessed application, without trim.
Plaster body.

LIGHT SOURCE

GU10 Lamp
or
COB LED
Driver LED, 220-240VAC-50/60Hz.
CRI>90, 35.000h of useful life.

AVAILABLE COLOR/FINISH



1-white

AVAILABLE LIGHT TEMPERATURE/ COLOR



2700K/ 3000K/ 4000K

AVAILABLE DRIVER

X- Without driver
1- HF - ON/OFF
2- DALI - Flow regulation
3- 1-10V - Flow regulation

CESS - LED GU10

LED GU10	POWER (w)	FLOW (lm)	CODE
	6	600	CESS.006.LK.AED
	8	825	CESS.008.LK.AED
	-	-	CESS.000.LK.AED

CESS - COB LED

	9	720	CESS.009.LK.AED
	12	960	CESS.012.LK.AED