

BIL 90 DATASHEET RECESSED APPLICATION

LED | 230V/50Hz | IP20



PRODUCT DESCRIPTION

Adjustable LED luminaire for recessed use, with trim.
Epoxy polyester lacquered aluminum body.

LIGHT SOURCE

GU10 Lamp
or
COB LED
Driver LED, 220-240VAC-50/60Hz.
CRI>90, 35.000h of useful life.

AVAILABLE COLOR/FINISH



1-white/ 2-black/ 4-anthracite/ 6-grey

AVAILABLE LIGHT TEMPERATURE/ COLOR



2700K/ 3000K/ 4000K

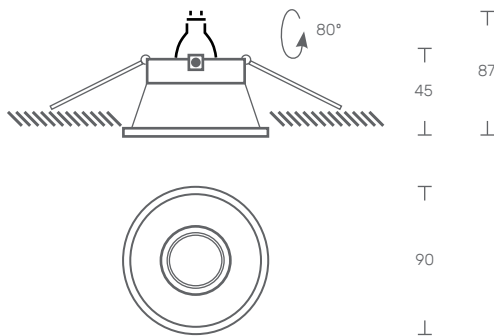
AVAILABLE DRIVER

X- Without driver
1- HF - ON/OFF
2- DALI - Flow regulation
3- 1-10V - Flow regulation

STANDARTS: EN 60598-1, EN 60598-2-1



TECHNICAL DRAWING



BIL 90 - LED GU10

LED GU10	POWER (W)	FLOW (lm)	CODE
	6	600	BIL90.006.LK.AED
	8	825	BIL90.008.LK.AED
	-	-	BIL90.000.LK.AED

BIL 90 - COB LED

	9	700	BIL90.009.LK.AED
	12	1200	BIL90.012.LK.AED