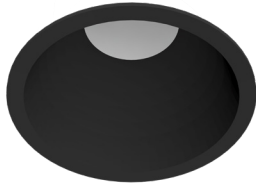


BIC 90 IP DATASHEET

RECESSED APPLICATION

LED | 230V/50Hz | IP54



PRODUCT DESCRIPTION

LED luminaire for recessed application, with flap.

Epoxy polyester lacquered aluminum body.

LIGHT SOURCE

GU10 Lamp

or

COB LED

Driver LED, 220-240VAC-50/60Hz.

CRI>90, 35.000h of useful life.

AVAILABLE COLOR/FINISH



1-white/ 2-black/ 4-anthracite/ 6-grey

AVAILABLE LIGHT TEMPERATURE/ COLOR



2700K/ 3000K/ 4000K

AVAILABLE DIFFUSER



X- without diffuser / O -opaline / T -transparent

AVAILABLE DRIVER

X- Without driver

1- HF - ON/OFF

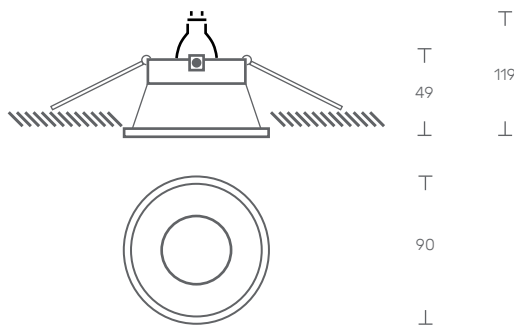
2- DALI - Flow regulation

3- 1-10V - Flow regulation

STANDARTS: EN 60598-1, EN 60598-2-1



TECHNICAL DRAWING



BIC 90 IP - LED GU10

LED GU10	POWER (w)	FLOW (lm)	CODE
	6	600	BIC90IP.006.LK.AED
	8	825	BIC90IP.008.LK.AED
	-	-	BIC90IP.000.LK.AED

BIC 90 IP - COB LED

	9	720	BIC90IP.009.LK.AED
	12	960	BIC90IP.012.LK.AED