

ARU DATASHEET RECESSED APPLICATION

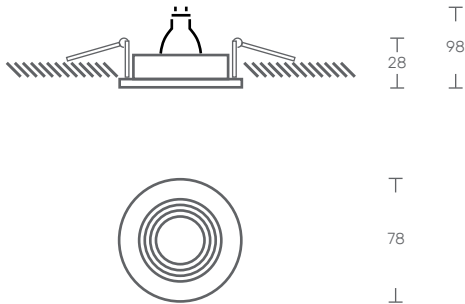
LED | 230V/50Hz | IP20



STANDARTS: EN 60598-1, EN 60598-2-1



TECHNICAL DRAWING



PRODUCT DESCRIPTION

LED luminaire for recessed application.
Epoxy-polyester lacquered aluminum frame.

LIGHT SOURCE

GU10 Lamp
or
COB LED
Driver LED, 220-240VAC-50/60Hz.
CRI>90, 35.000h of useful life.

AVAILABLE COLOR/FINISH



1-white/ 2-black/ 4-anthracite/ 5-brushed/
6-grey

AVAILABLE LIGHT TEMPERATURE/ COLOR



2700K/ 3000K/ 4000K

AVAILABLE DRIVER

X- Without driver
1- HF - ON/OFF
2- DALI - Flow regulation
3- 1-10V - Flow regulation

ARU - LED GU10

LED GU10	POWER (w)	FLOW (lm)	CODE
	6	600	ARU.006.LK.AED
	8	825	ARU.008.LK.AED
	-	-	ARU.000.LK.AED

ARU - COB LED

	9	720	ARU.009.LK.AED
	12	960	ARU.012.LK.AED