

ARU O Q DATASHEET

RECESSED APPLICATION

LED | 230V/50Hz | IP20



PRODUCT DESCRIPTION

Adjustable LED luminaire for recessed application.

Epoxy-polyester lacquered aluminum frame.

LIGHT SOURCE

GU10 Lamp

or

COB LED

Driver LED, 220-240VAC-50/60Hz.

CRI>90, 35.000h of useful life.

AVAILABLE COLOR/FINISH



1-white/ 2-black/ 4-anthracite/ 5-brushed/ 6-grey

AVAILABLE LIGHT TEMPERATURE/ COLOR



2700K/ 3000K/ 4000K

AVAILABLE DRIVER

X- Without driver

1- HF - ON/OFF

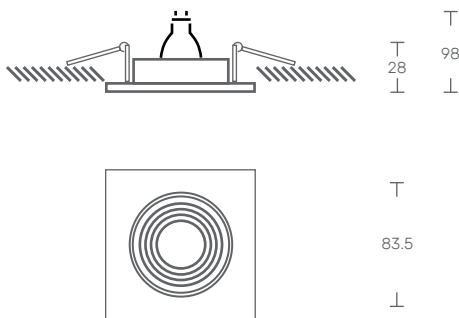
2- DALI - Flow regulation

3- 1-10V - Flow regulation

STANDARTS: EN 60598-1, EN 60598-2-1



TECHNICAL DRAWING



ARU O Q - LED GU10

LED GU10	POWER (w)	FLOW (lm)	CODE
	6	600	ARUOQ.006.LK.AED
	8	825	ARUOQ.008.LK.AED
	-	-	ARUOQ.000.LK.AED

ARU O Q - LED COB

	9	720	ARUOQ.009.LK.AED
	12	960	ARUOQ.012.LK.AED